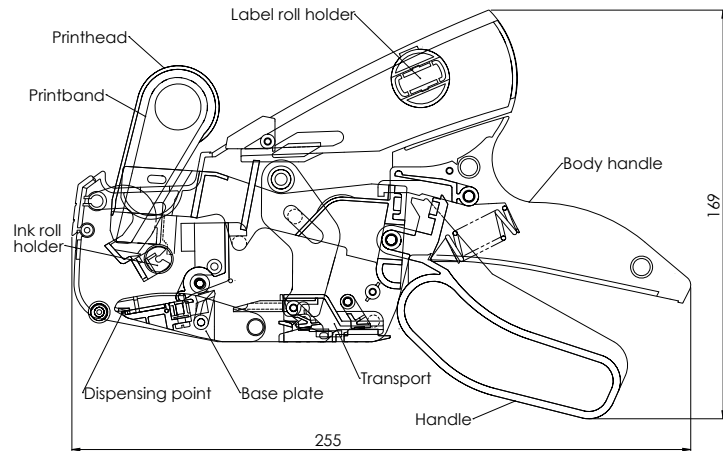


# TECHNICAL DATASHEET - PRICE GUN

## Meto Classic S



### Technical Data

<b>Tool type:</b>	price gun
<b>Manufacturer:</b>	Meto International GmbH
<b>Model:</b>	Meto Classic S
<b>Colour:</b>	silver-teal
<b>Tool size (LxWxH):</b>	256 x 59 x 160 mm
<b>Packaging size (LxWxH):</b>	282 x 68 x 186 mm
<b>Net weight (tool):</b>	412 g
<b>Gross weight:</b>	588 g
<b>Lines:</b>	1
<b>Digits:</b>	6 - 10 print positions depending on the model
<b>Print height:</b>	3,0 - 5,0 mm depending on the model
<b>Label size:</b>	26 x 12 mm / 26 x 16 mm depending on the model
<b>Main components:</b>	label roll holder, handle, transport, ink roll holder, printband, printhead

#### Price gun material:

a) body, printhead, transport	ABS (50%), POM (26%), PA (9%)
b) screws, springs	metals (12%)
c) printbands	elastomer (3%)

#### Label material:

a) face paper	paper *
b) adhesive	permanent, removable, deep freeze *
c) liner	kraft paper white *

#### Ink roll material:

a) ink roll holder	polyamide (PA 6)
b) foam body	mixed polyurethane foam
c) ink	black, type T-192, glycerin based

# TECHNICAL DATASHEET - PRICE GUN

---

<b>Packaging material:</b>	230 g GD2, FSC Mix
<b>Certification:</b>	packaging: climate neutral production, FSC Mix
<b>Transport (labels):</b>	wavy-edge
<b>Warranty:</b>	2 years
<b>Scope of delivery:</b>	price gun with labels and ink roll ready for use

## Item list

<b>30007652</b>	Meto Classic S 626/12, price labelling
<b>30008413</b>	Meto Classic S 626/16, price labelling
<b>30007658</b>	Meto Classic S 826/12, price labelling, item numbering
<b>30008411</b>	Meto Classic S 826/16, price labelling, item numbering
<b>30007655</b>	Meto Classic S 826/12, price labelling, quantities
<b>30007629</b>	Meto Classic S 1026/12, price labelling, best-before date

\*For more information please contact us directly at [service@meto.com](mailto:service@meto.com) or visit us on [www.meto.com/hls](http://www.meto.com/hls).